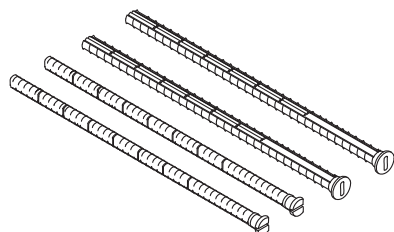
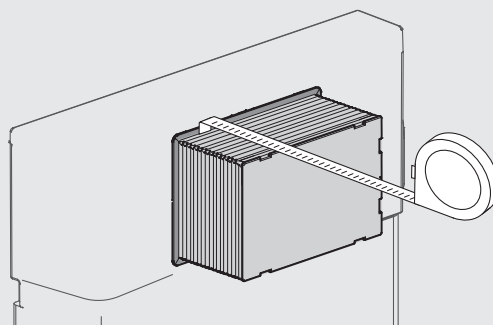


	A	B	C	D	E
mm	255	150	7	41,4	115
in	10.03	5.9	0.27	16.29	4.52



ESPESSURA MÍNIMA DE PAREDE | MINIMUM WALL THICKNESS | SPESSORE MINIMO DELLA PARETE | ESPESOR MÍNIMO DE PARED | ÉPAISSEUR MINIMALE DU MUR | MINDESTWANDSTÄRKE | MINSTE VEGGTYKKELSE



OLI70 PLUS

OLI74 PLUS

OLI120 PLUS

QUADRA PLUS

EXPERT PLUS

EXPERT PLUS

OLI80



15 mm

15 mm

10 mm

15 mm

5 mm

0 mm

15 mm

0.59 inch

0.59 inch

0.39 inch

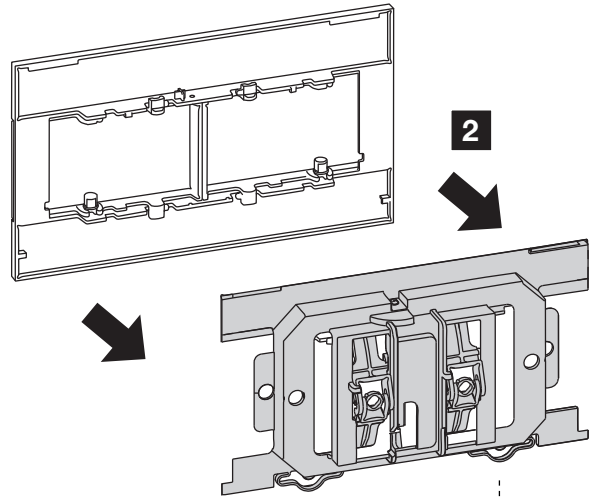
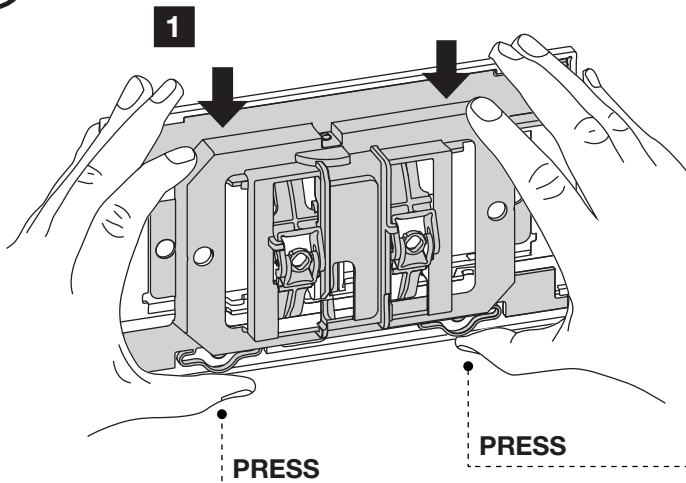
0.59 inch

0.19 inch

0 inch

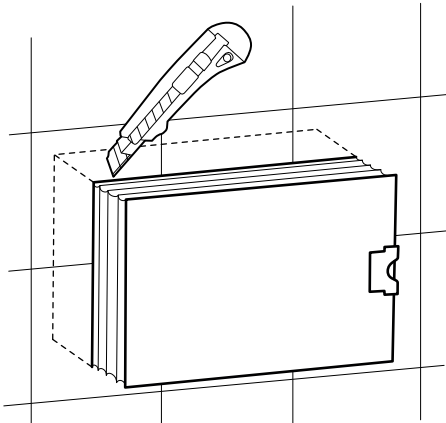
0.59 inch

i

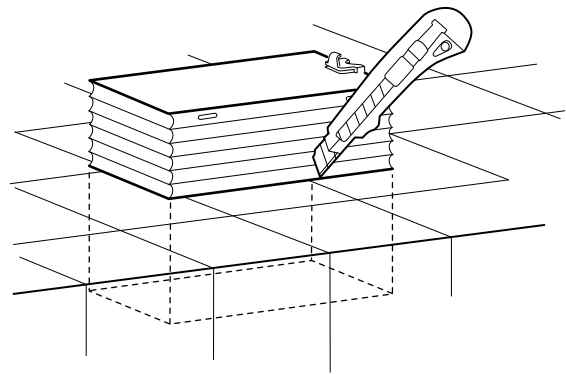


1

FRONT

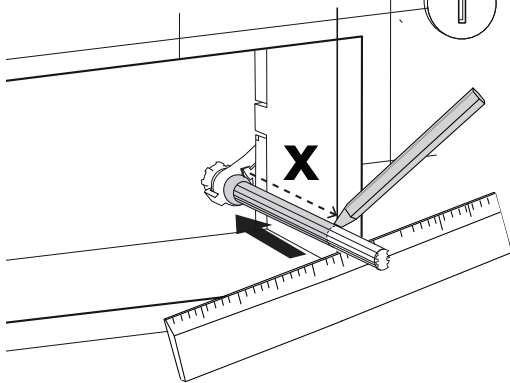


TOP



2

x2 x2

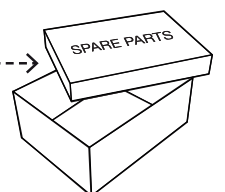
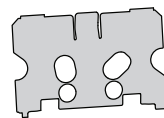
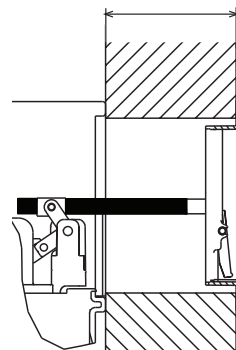


i

OLI74 PLUS

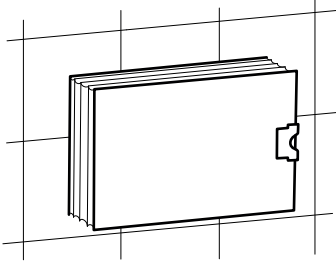
OLI80

X < 15mm

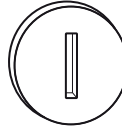


3A

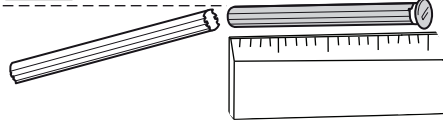
FRONT



x2



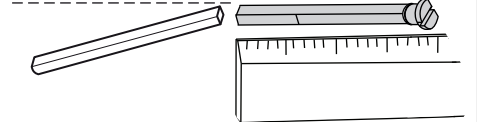
$X + 0.39''$
 $\leftarrow X + 10\text{mm} \rightarrow$



x2

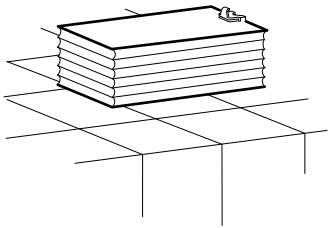


$X + 0.78''$
 $\leftarrow X + 20\text{mm} \rightarrow$



3B

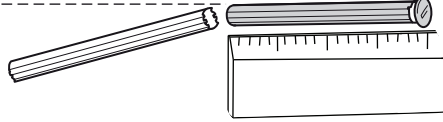
TOP



x2



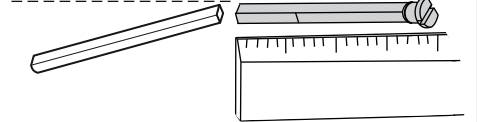
$X + 0.39''$
 $\leftarrow X + 10\text{mm} \rightarrow$



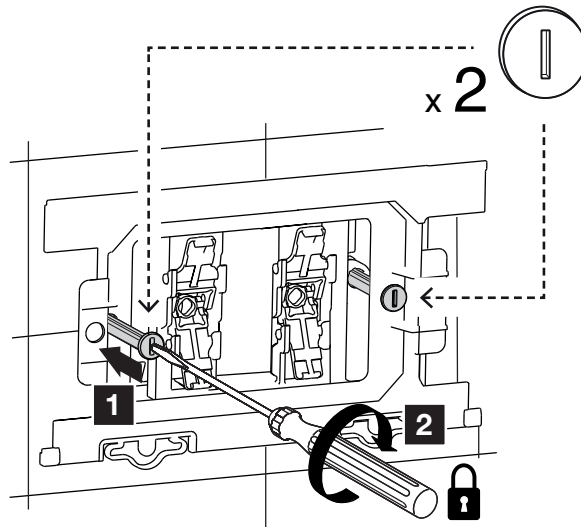
x2

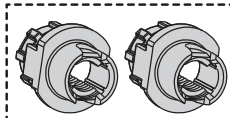


$X + 2.95''$
 $\leftarrow X + 75\text{mm} \rightarrow$

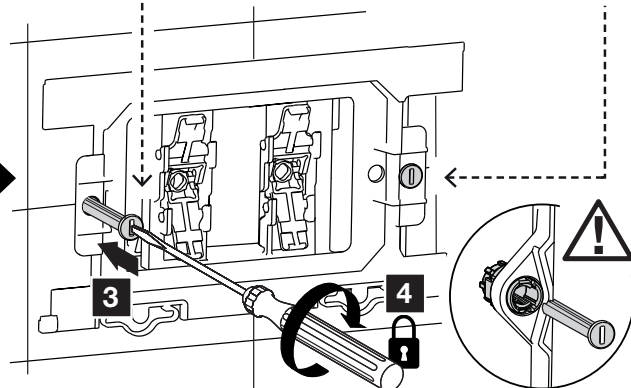
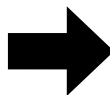
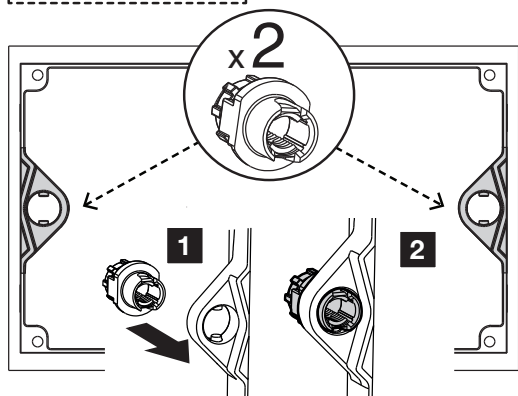


4

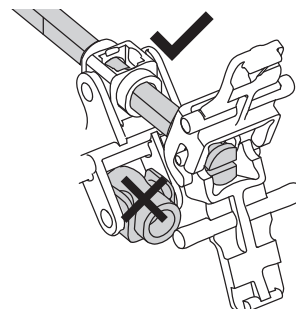
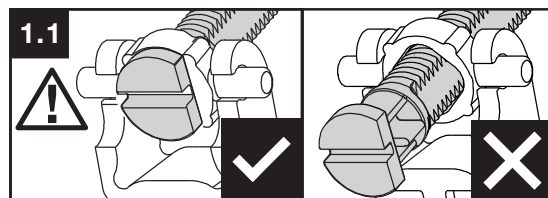
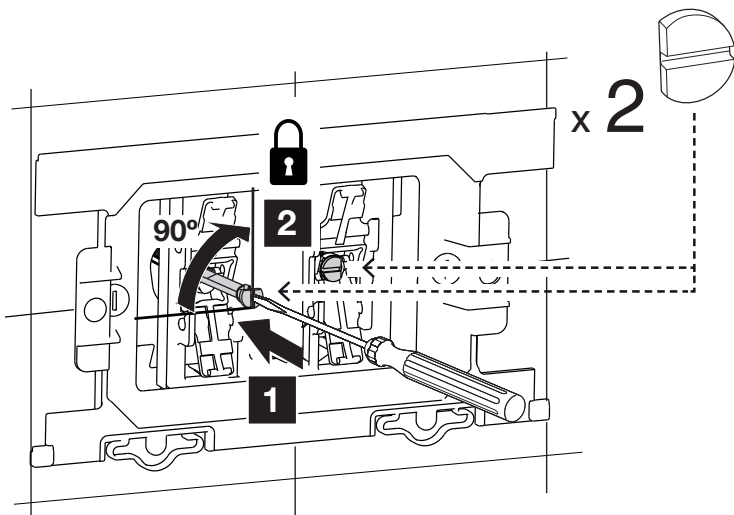




Cod.037152
Fixation kit <09
Order separately



5



6

