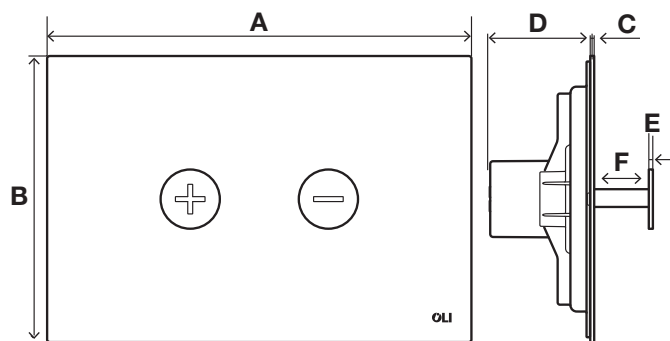
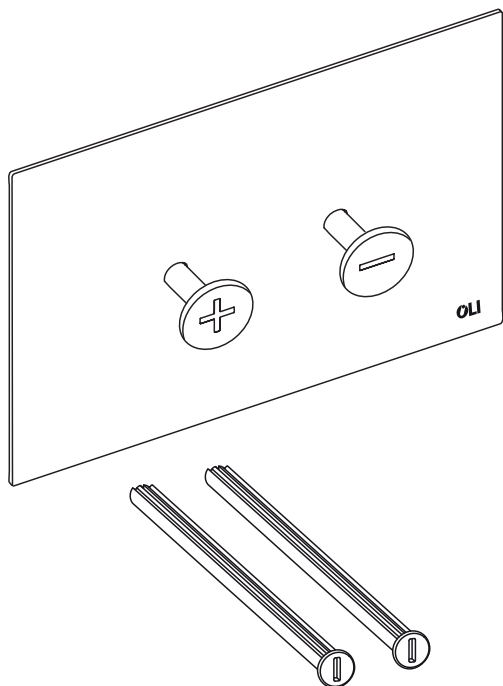


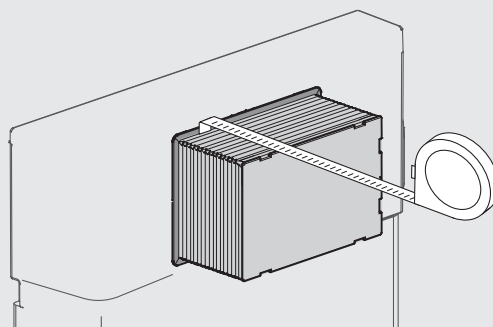
# TRUMPET

PNEUMATIC



	A	B	C	D	E	F
mm	215	145	2	49.5	2	29.7
in	8.46	5.70	0.07	1.94	0.07	1.16

**ESPESSURA MÍNIMA DE PAREDE | MINIMUM WALL THICKNESS | SPESSORE MINIMO DELLA PARETE | ESPESOR MÍNIMO DE PARED | ÉPAISSEUR MINIMALE DU MUR | MINDESTWANDSTÄRKE | MINSTE VEGGTYKKELSE**



**OLI70 PLUS**

**OLI74 PLUS**

**OLI120 PLUS**

**QUADRA PLUS**

**EXPERT PLUS**

**EXPERT PLUS**



15 mm

5 mm

5 mm

0 mm

0 mm

0 mm

0.59 inch

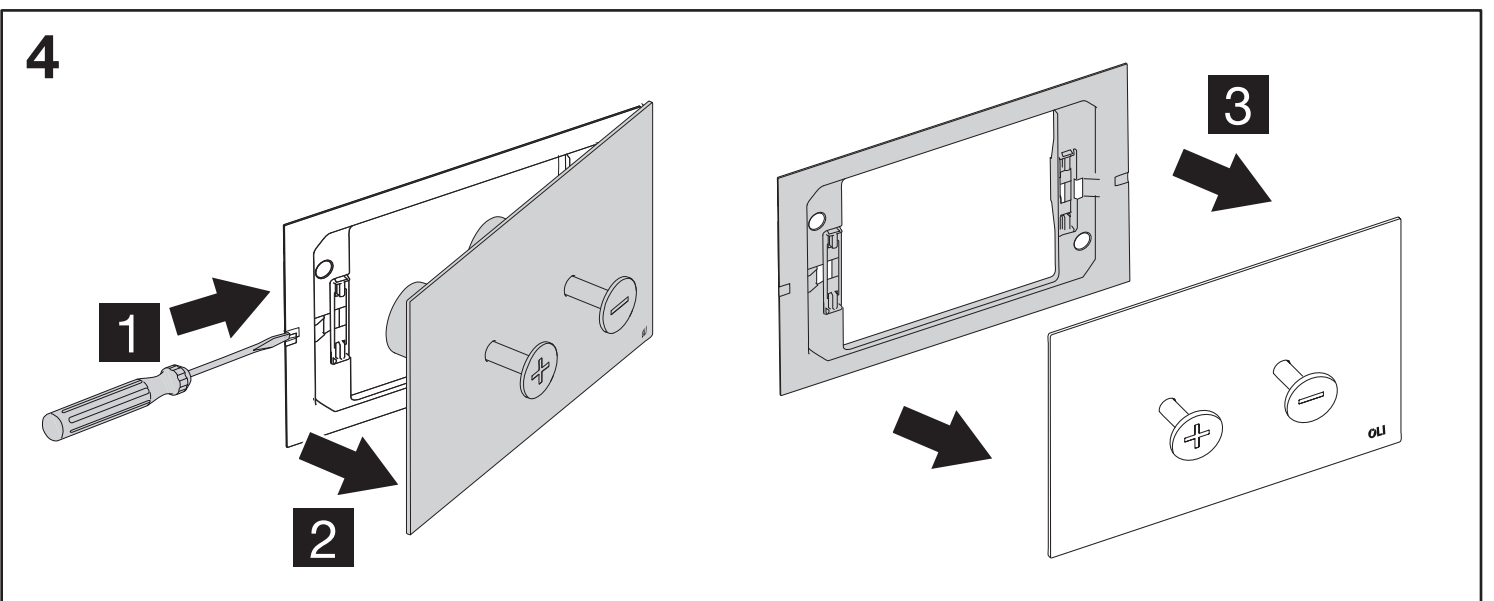
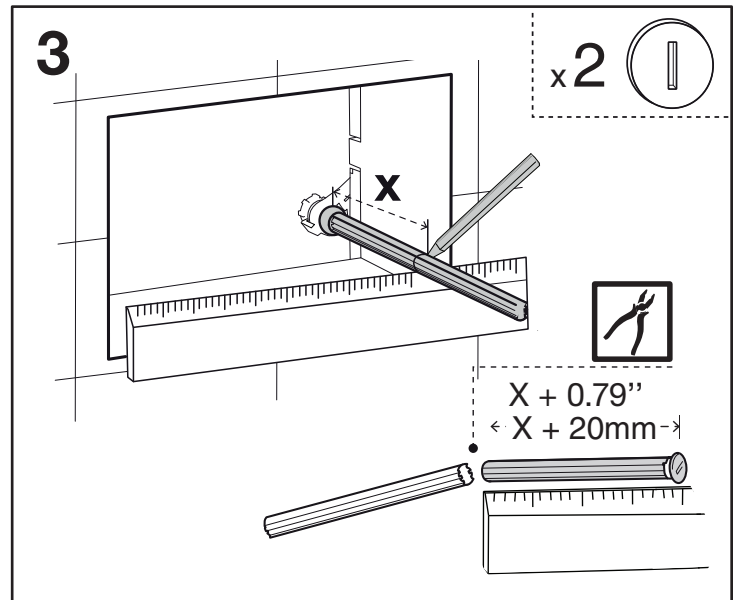
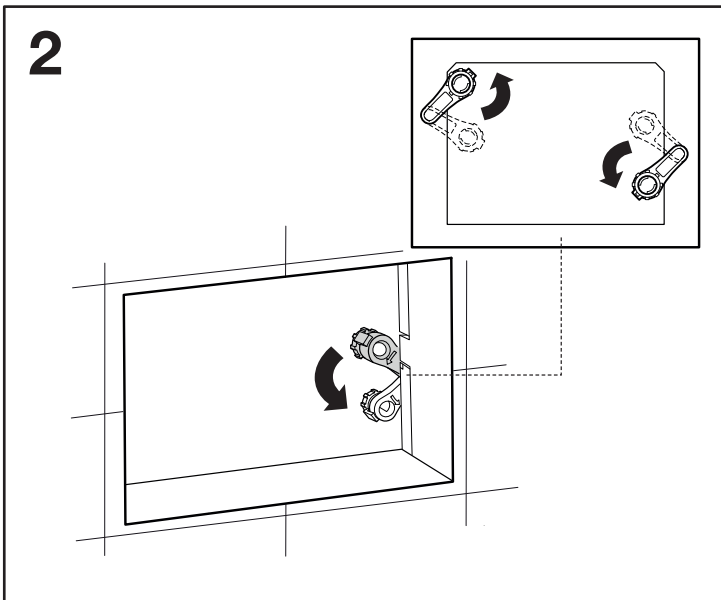
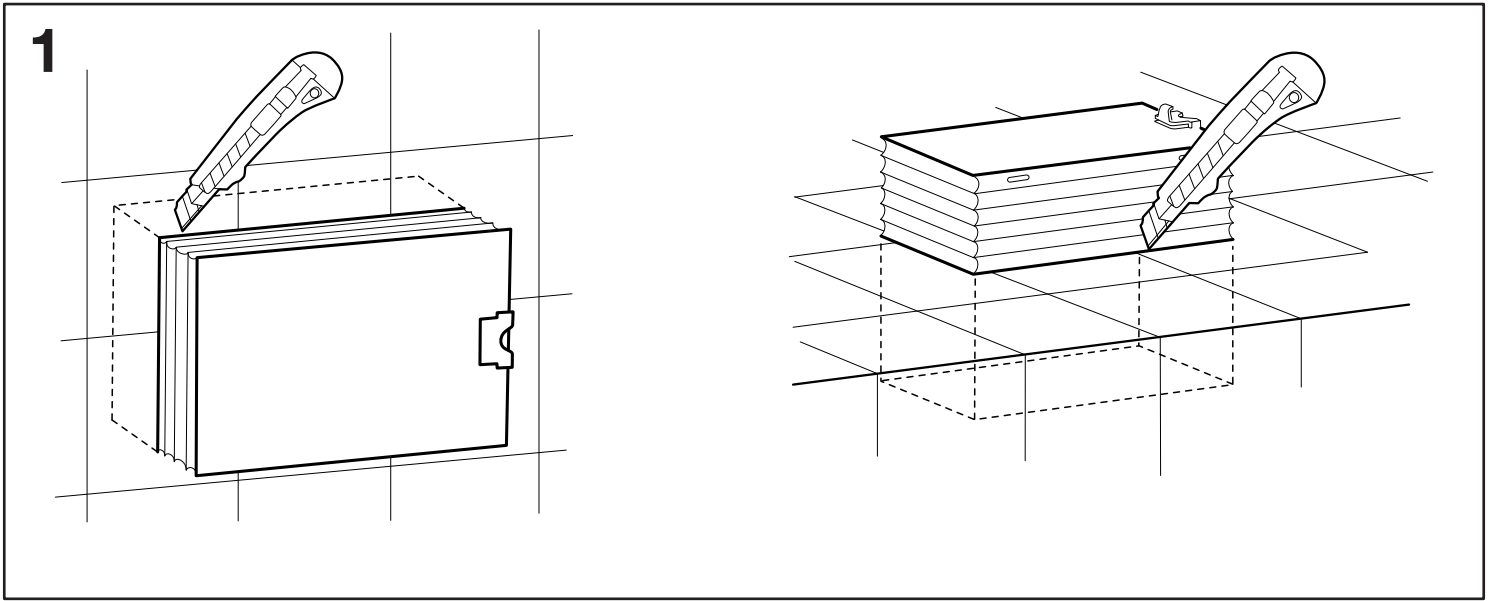
0.19 inch

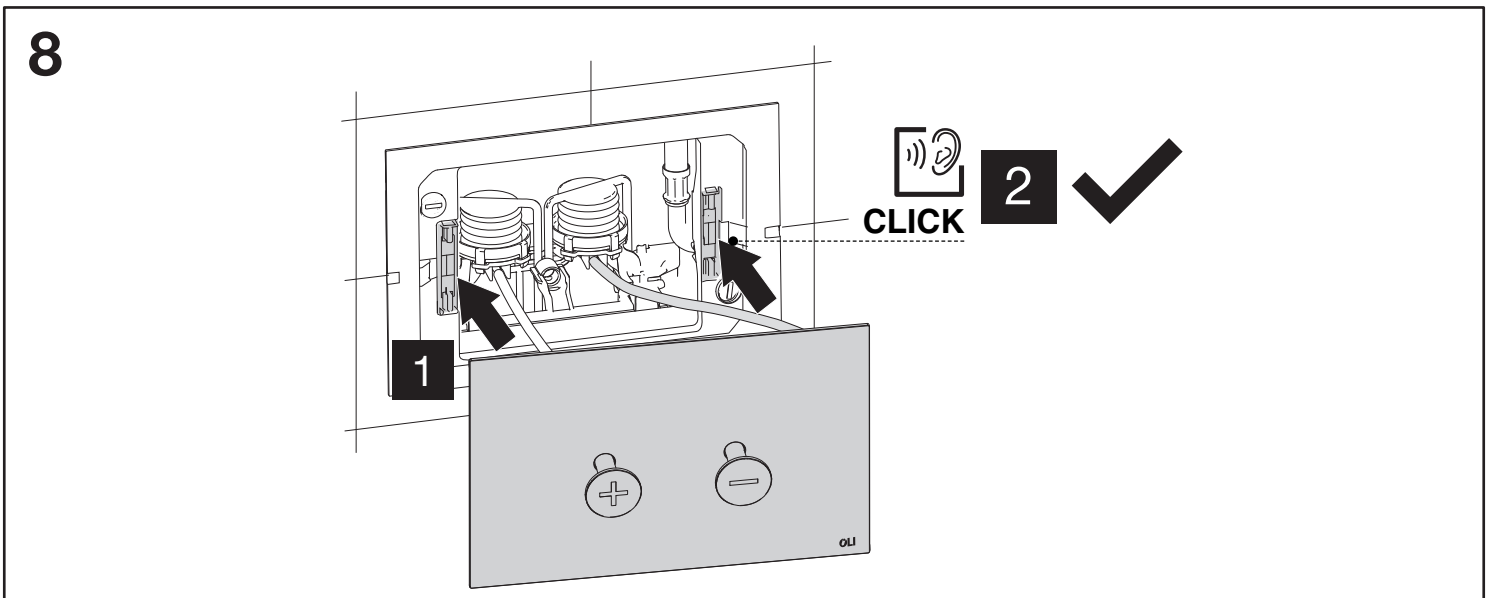
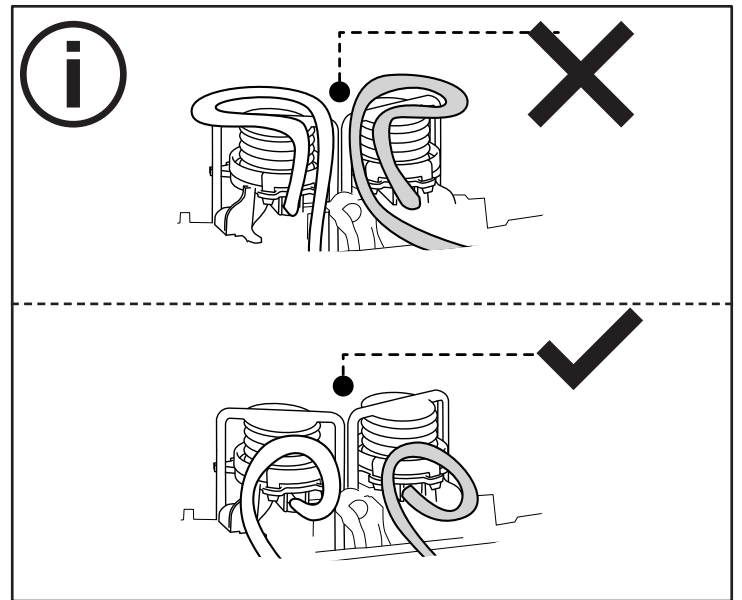
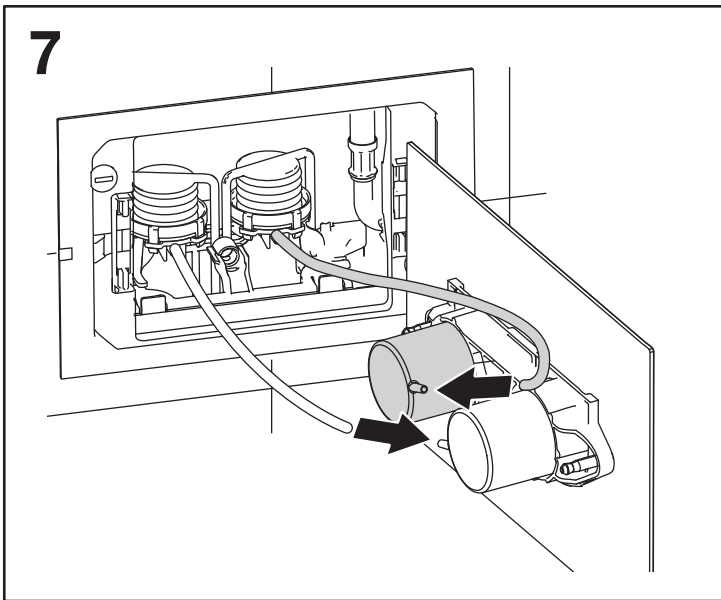
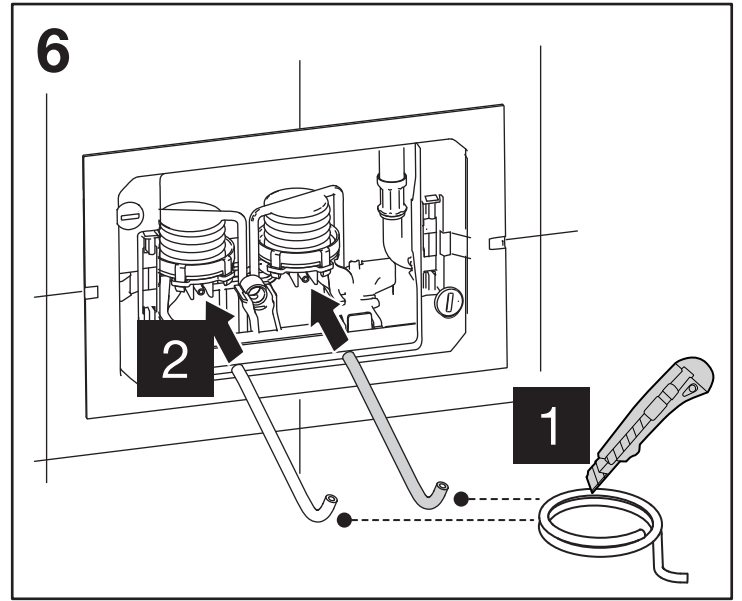
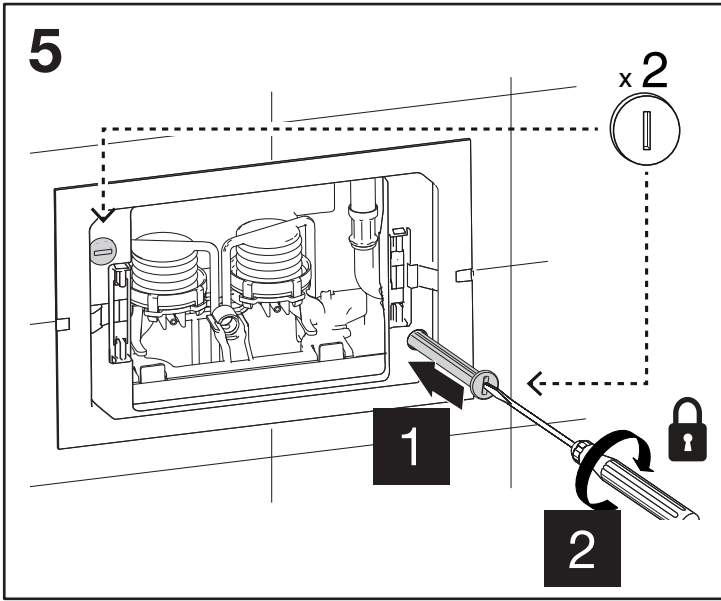
0.19 inch

0 inch

0 inch

0 inch





9

