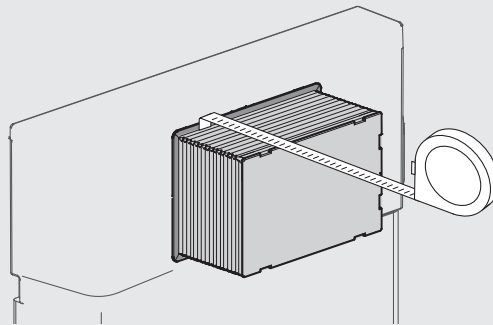


	A	B	C	D
mm	230	150	6.5	23.5
in	9.1	5.9	0.25	0.92

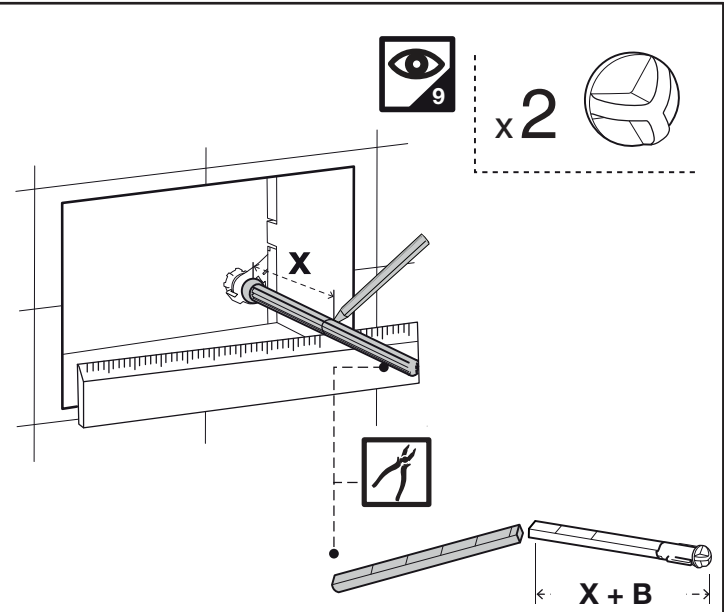
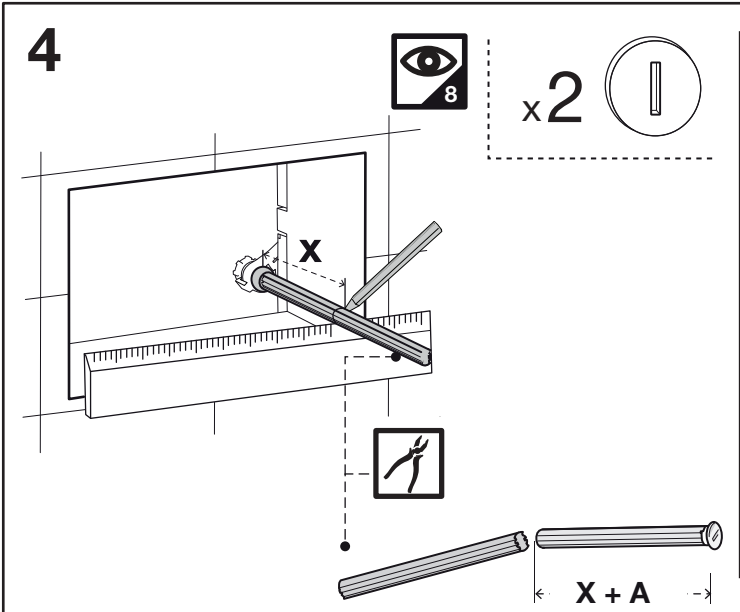
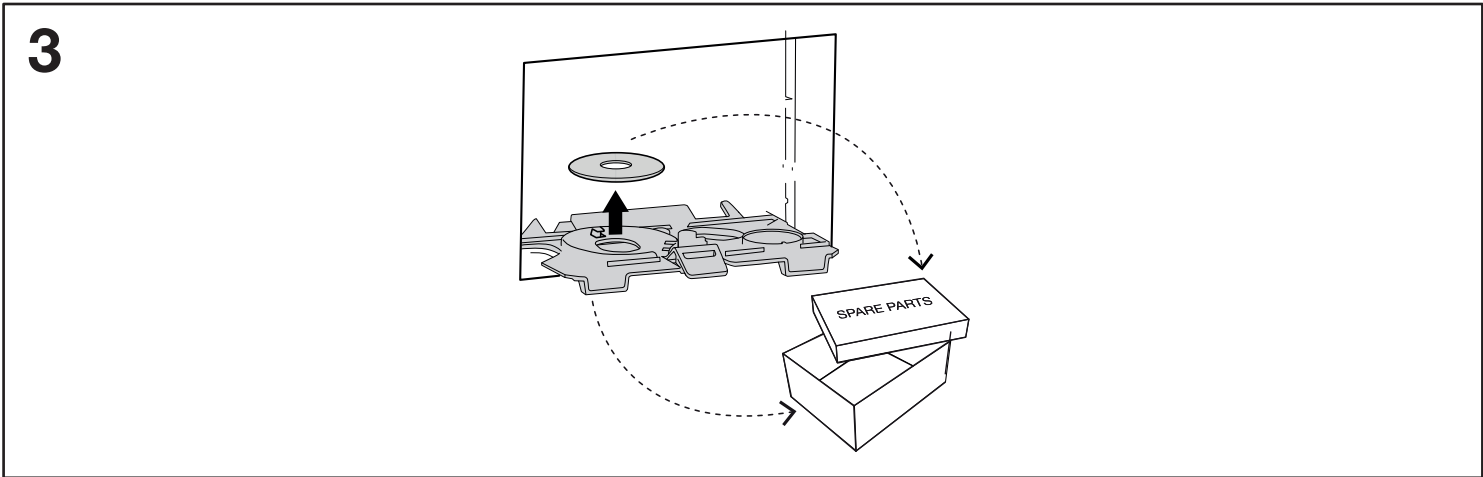
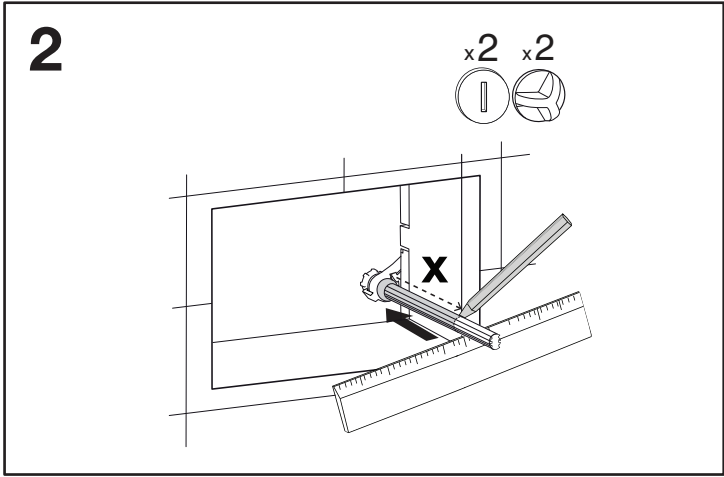
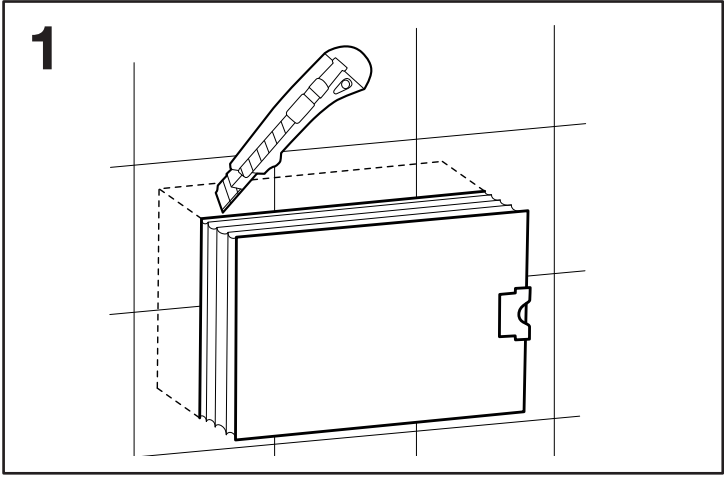
**TOP ACTUATION KIT**  
Cod. 211743

**ESPESSURA MÍNIMA DE PAREDE | MINIMUM WALL THICKNESS | SPESSORE MINIMO DELLA PARETE | ESPESOR MÍNIMO DE PARED | ÉPAISSEUR MINIMALE DU MUR | MINDESTWANDSTÄRKE | MINSTE VEGGTYKKELSE**



OLI70 PLUS	OLI74 PLUS	OLI120 PLUS	QUADRA PLUS	EXPERT PLUS	EXPERT PLUS	OLI80
0 mm	0 mm	10 mm	5 mm	0 mm	0 mm	0 mm
0 inch	0 inch	0.39 inch	0.19 inch	0 inch	0 inch	0 inch

# FRONT

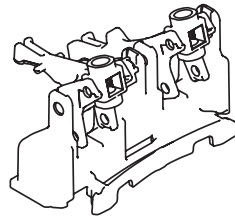


	A		B	
<b>OLI70 PLUS / OLI74 PLUS</b>	30 mm	1.18"	70 mm	2.75"
<b>EXPERT PLUS - FRONT</b>	30 mm	1.18"	70 mm	2.75"
<b>QUADRA PLUS</b>	40 mm	1.57"	55 mm	2.16"
<b>OLI120 PLUS</b>	40 mm	1.57"	80 mm	3.14"

# TOP

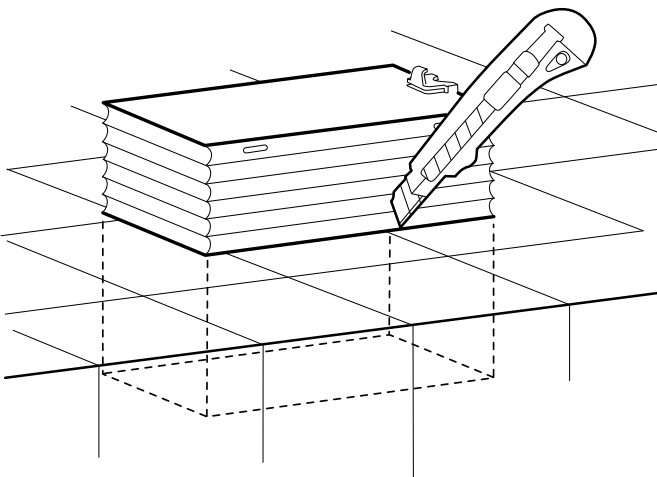


TOP ACTUATION KIT

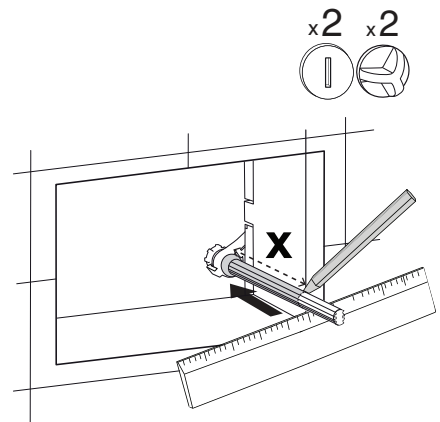


Cod. 211743

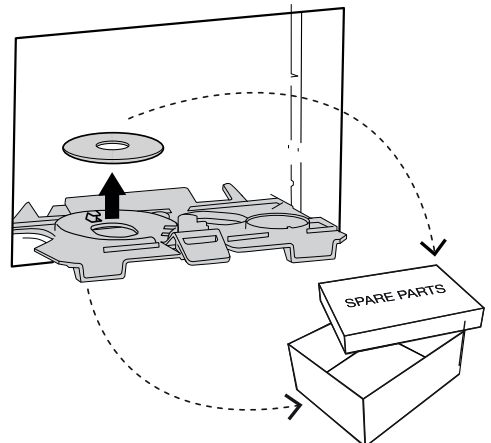
1



2



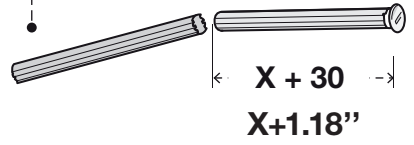
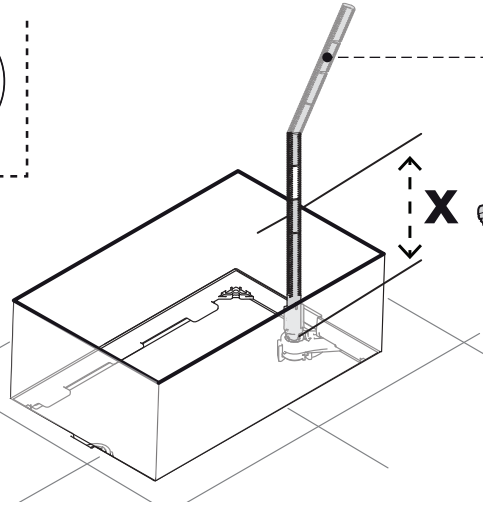
3



4



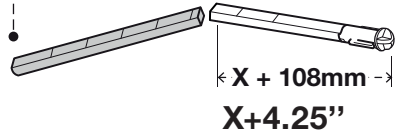
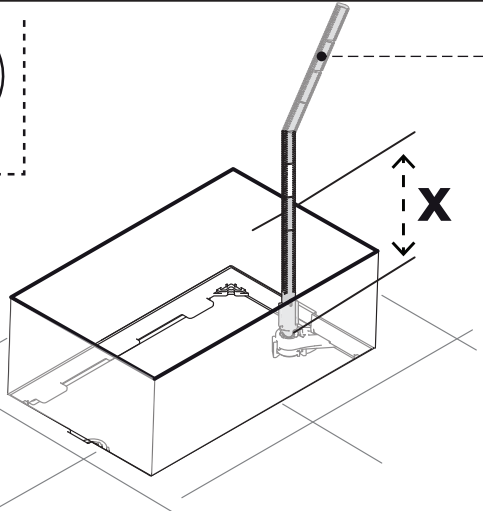
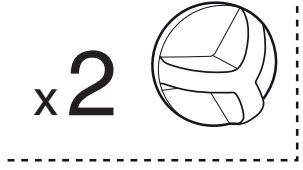
x2



X + 30  
X+1.18"

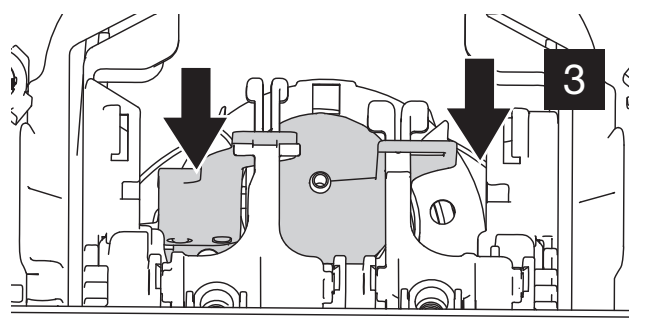
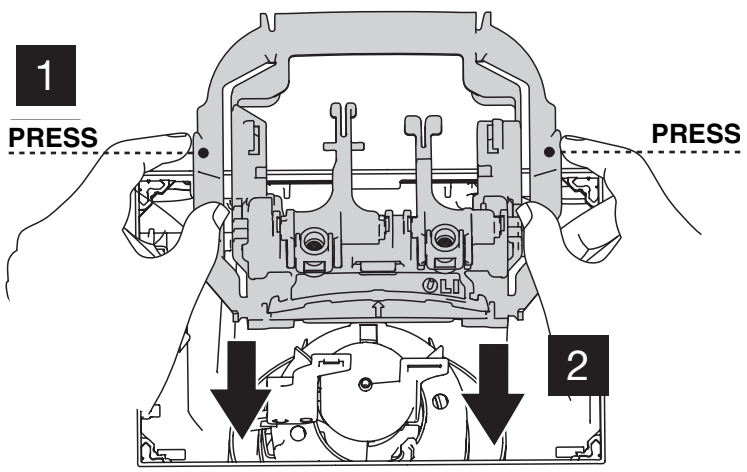
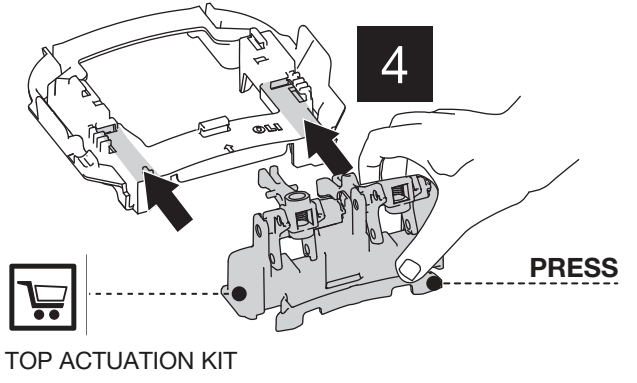
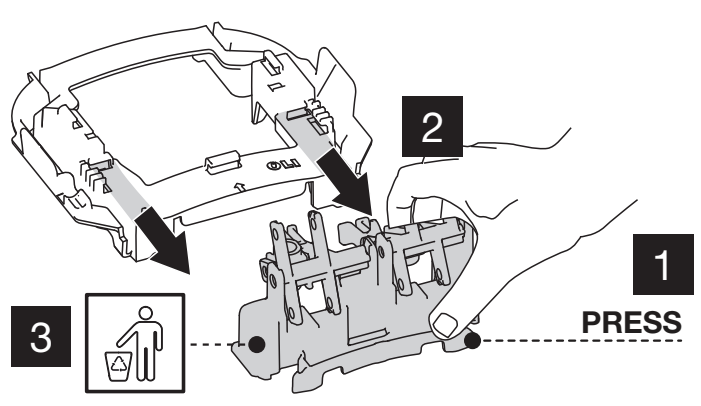
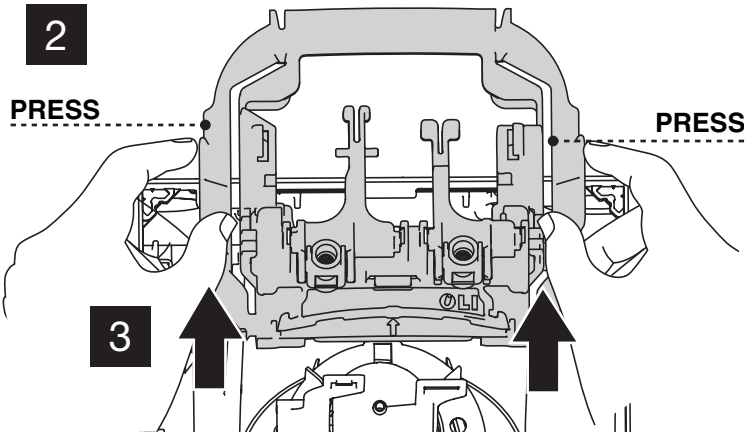
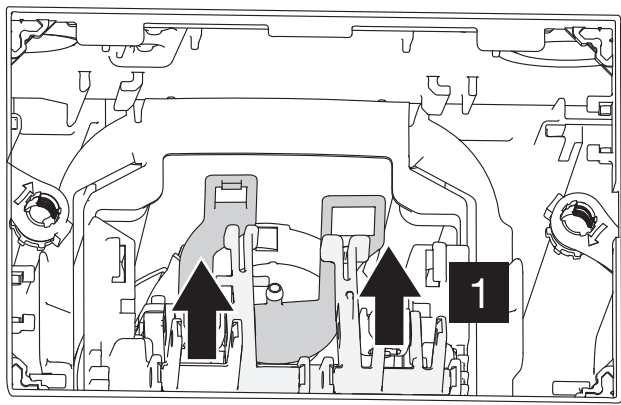


x2

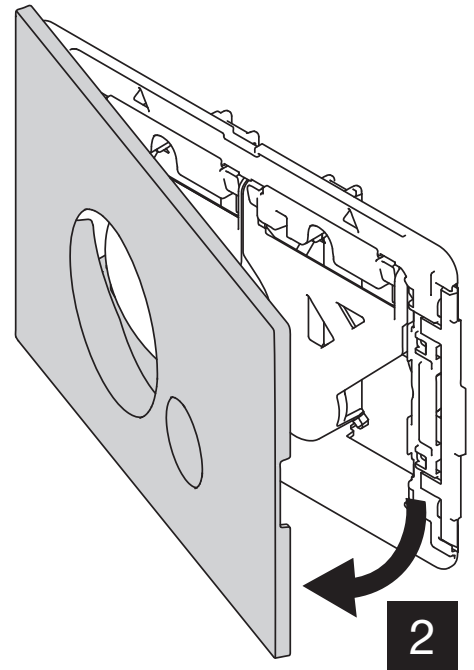
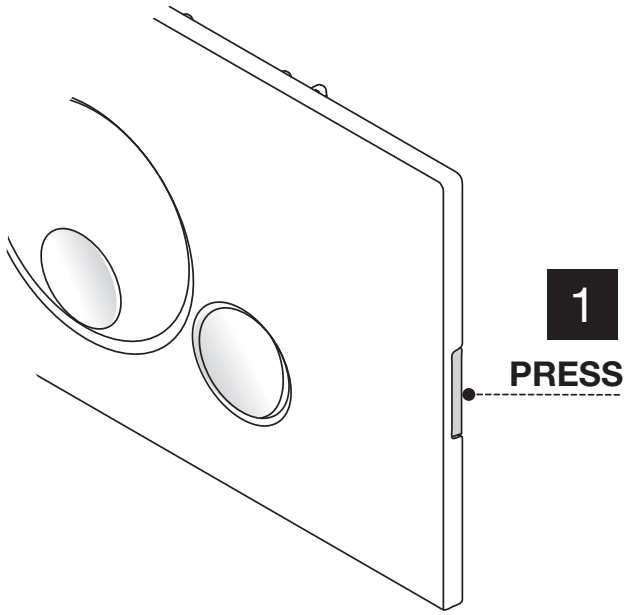


X + 108mm  
X+4.25"

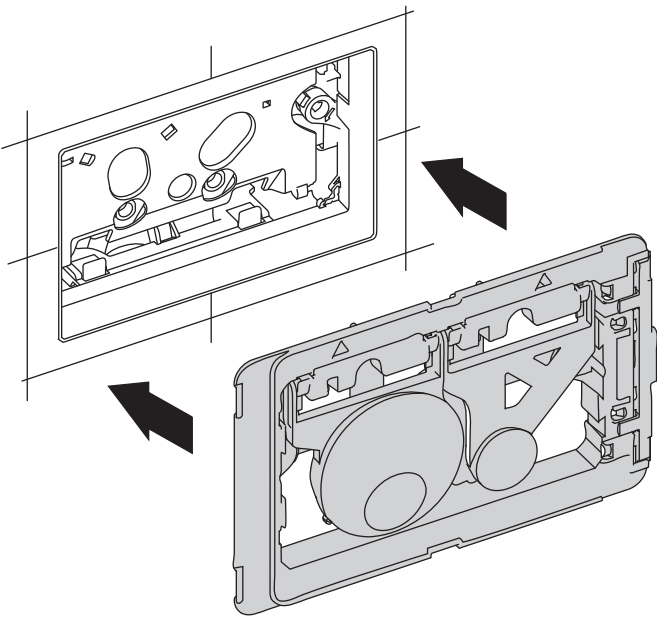
# TOP



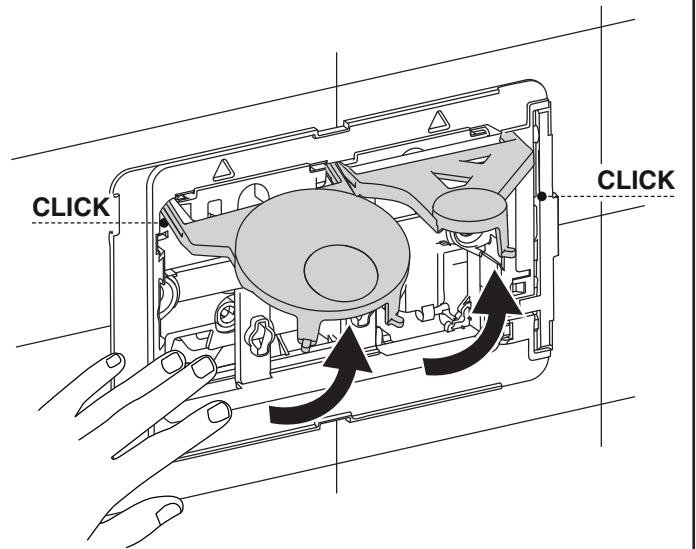
5



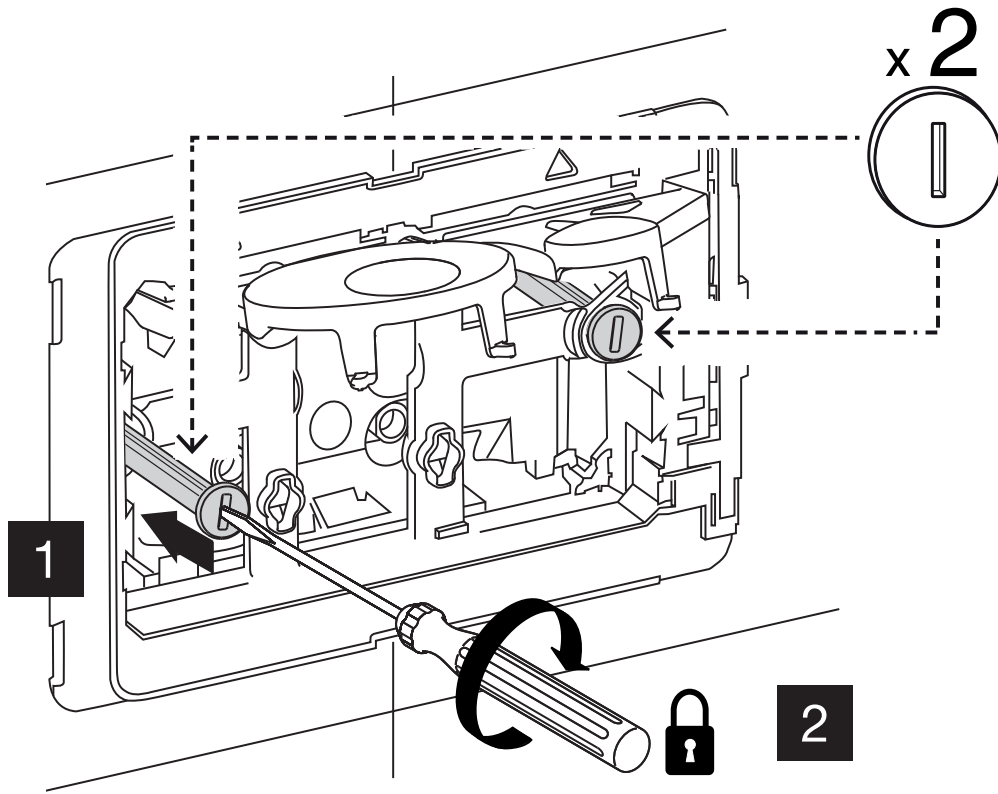
6



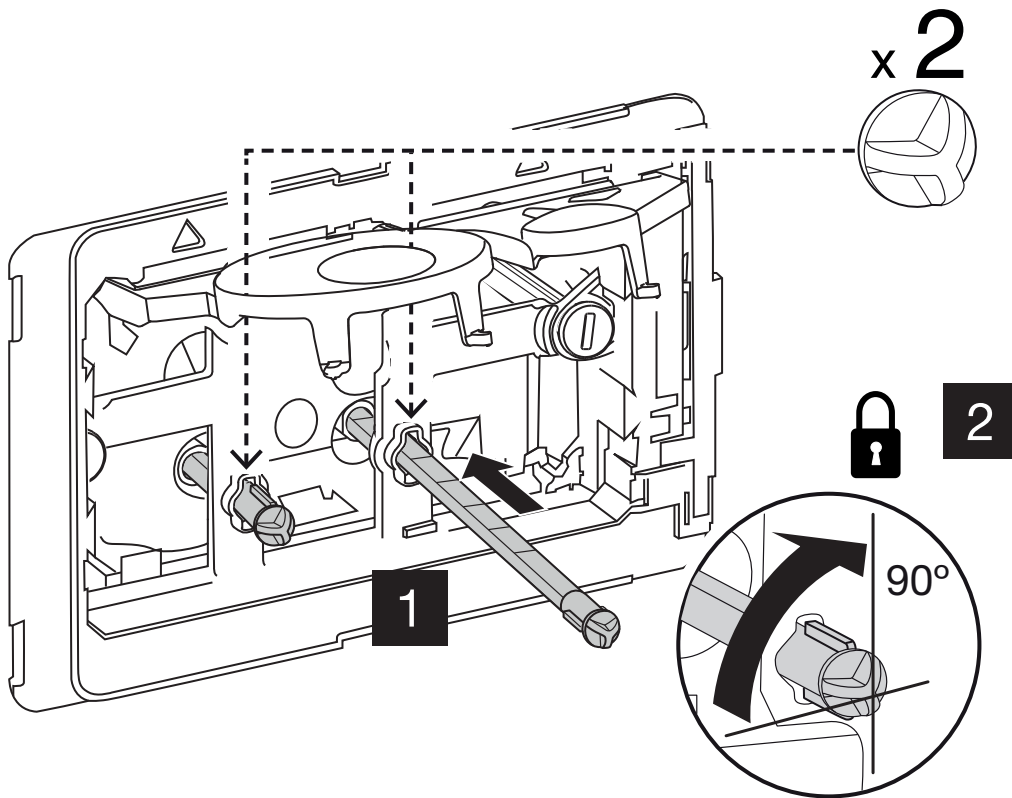
7

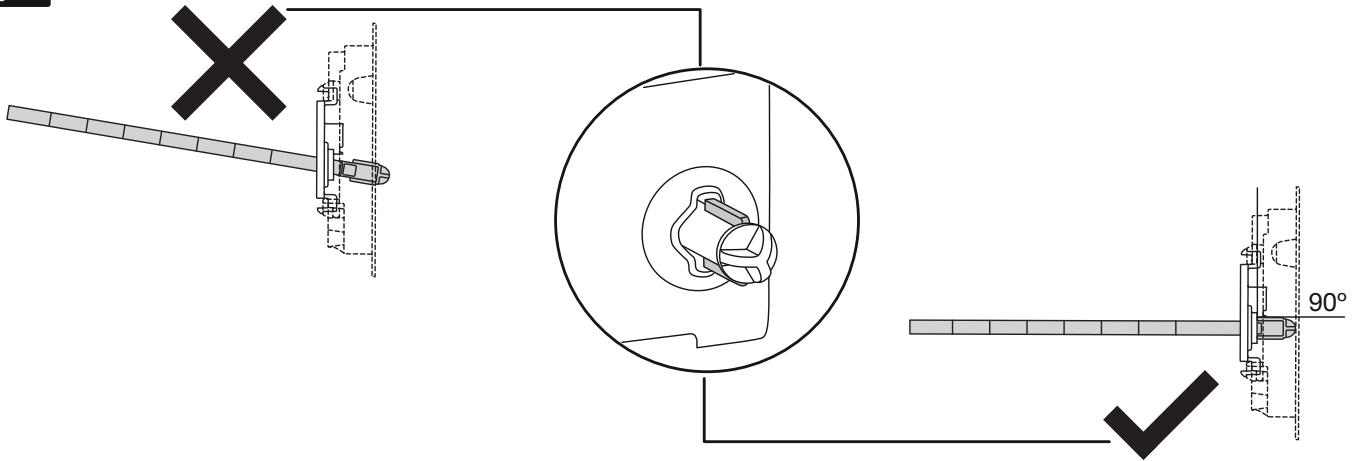


8

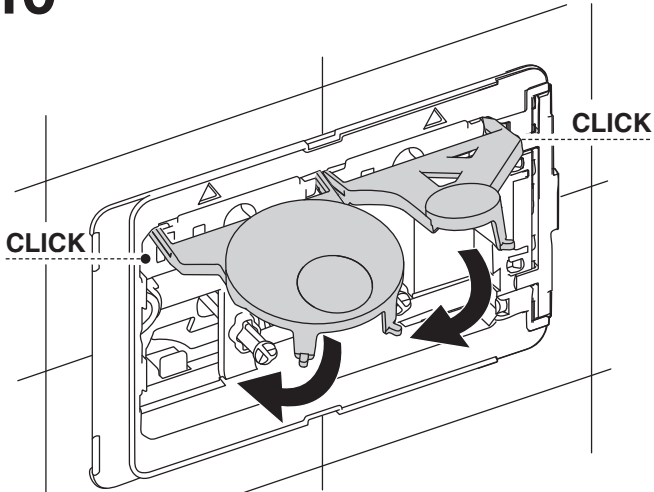


9





10



11

